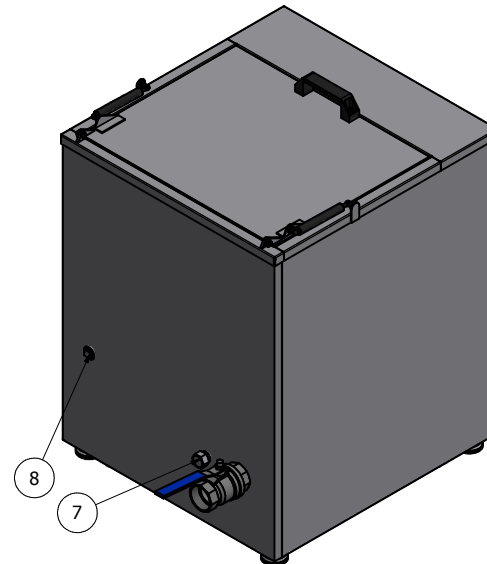
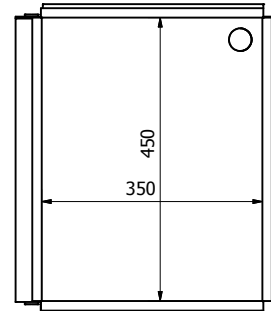
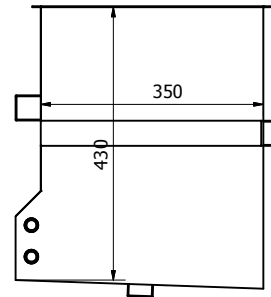
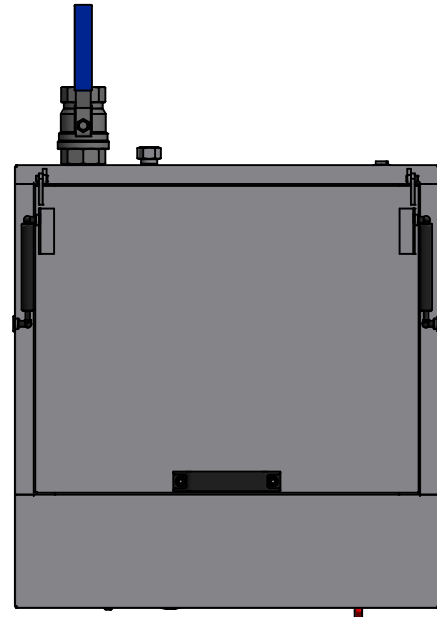
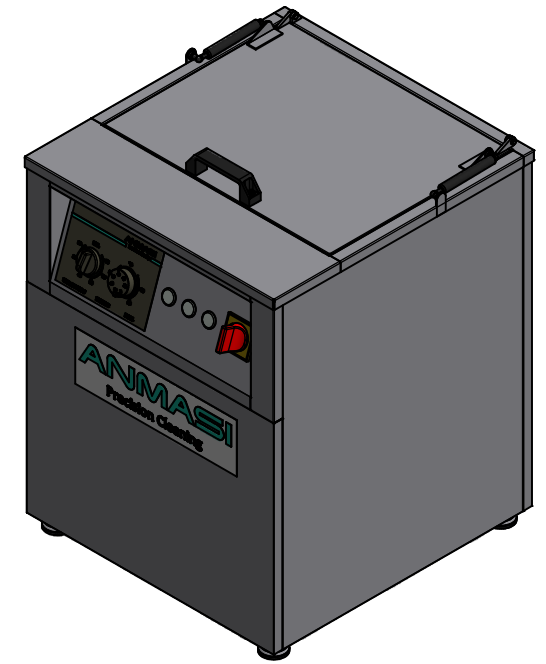
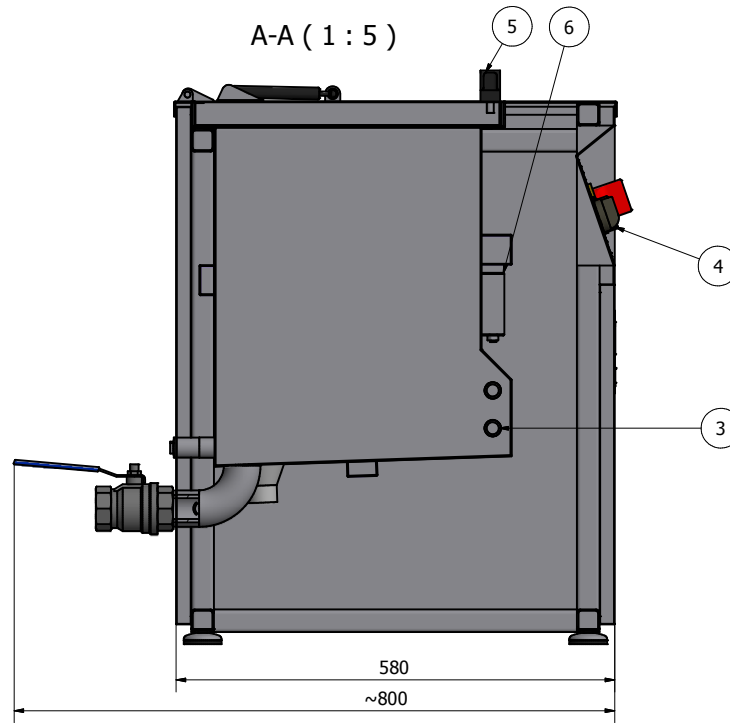


A-A (1:5)



description:

1. Valve 1"
2. Ultrasonic transducer
3. Heating
4. Operating panel
5. Door
6. Level controller
7. Outlet filtration 1/2"
8. Inlet filtration 1/2"